

# FIXING INSTRUCTION FOR FLAGPOLE

1. Attach the 3 Anchors Rods (A) to the Ground Plate (B). Use the Nuts (G). 3 nuts under and 3 nuts above the Ground Plate. The Distance (D) shall be 73 millimeters.

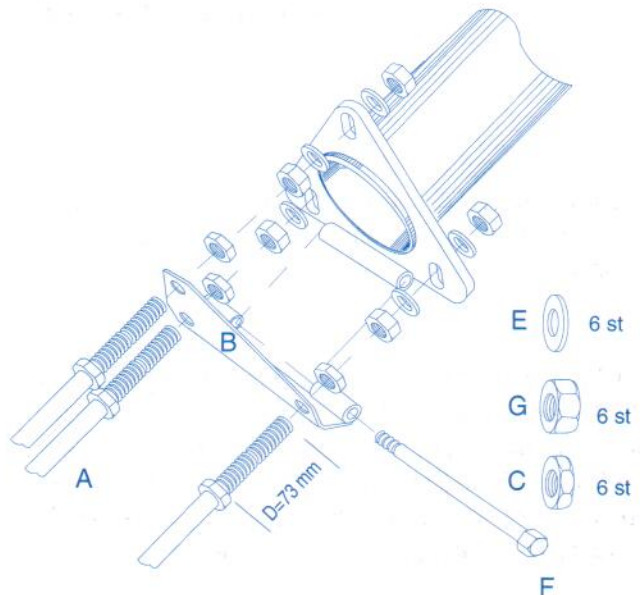
2. Place the unit in the hole, and fix it in a vertical position. (As an alternative, fill up the hole with concrete and fix the unit in a vertical position.)  
**NOTE!** Place the Ground Plate's hinge in that direction so you easily can raise or lower the flag pole.

3. Concrete shall be poured up to the lower nut's lower level.

4. After 2-3 days the concrete is hardened and the Flag Pole can be raised. Attach 3 more nuts (G) to the Anchors Rods and place Washers (E). Tighten the Nuts as far as possible. Attach Flag Pole with Hinge Bolt (F).

5. Attach Finial to top of Flag Pole and install halyard and cleat.

6. Raise Flag Pole, fix top washers (E) and Nuts (G). Adjust Flag Pole into vertical position with the Nuts (G).  
**NOTE!** After 2-3 weeks, tighten the nuts once again.



Overall Length of Flagpole	6m	8m	9m	10m	12m
Depth of Foundation Slabs	800mm	1000mm	1100mm	1250mm	1400mm
Width of foundation	500mm	500mm	650mm	650mm	650mm

## MOUNTAIN/ROCK FIXING

Place the Ground Plate (B) where the Flag Pole shall be raised. Mark the holes for drilling. Drill holes should be 24 millimeters. Depth of holes, minimum 30 centimeter. Anchor Rods can be cut. Attach the Anchor Rods to the Ground Plate as point 1. Check if the unit fits into the drilled holes.

Fill the holes with fast setting cement. Press down the unit and fix it into vertical position. When the cement is cured, the Flag Pole may be raised in the way described in Point 4-6.